

THE *Odyssey*

*State-of-the-Art
Cast Iron
Oil Boiler*



NYTHERMAL INC.

IN THE NY THERMAL INC. TRADITION OF QUALITY...

Introducing **THE** Odyssey, Our Newest Top Quality



Homeowners have depended on state-of-the-art hydronic heating equipment from NY Thermal for more than 30 years. In that same tradition, we proudly launch the power of sophisticated, modern NTI cast boiler technology in the compact oil-fired Odyssey. Users will appreciate the industry's best efficiencies, reliable operation and unsurpassed comfort.

If you're looking for home heating excellence, your journey ends with The Odyssey.

Service professionals appreciate The Odyssey's simple installation and care.

- Lifting holes are provided in the castings to enable the use of lifting bars, making boiler placement efficient and safe.
- All boilers are protected with a plastic film to prevent damage before installation.
- Certified with both Riello and Beckett top-quality oil burners.
- The Odyssey is certified for low clearance, and combustible floor installations.
- The snap-off front panel and hinged burner door make cleaning easy and quick.

The Odyssey's high efficiency saves you money.

- Its unique three pass combustion path design generates outstanding performance with efficiencies up to 89%.
- The flame envelope is totally surrounded by water, resulting not only in high efficiencies, but low installation clearances.
- The Odyssey can safely operate at low water temperature, allowing a reliable "cold start" operation.



Additional Features:

- Provided with outdoor sensor for automatic boiler temperature reset
- Control is fully enclosed in impact-resistant enclosure with multi-functional LED display system
- Digital set point for unmatched accuracy
- Internal diagnostic system continuously monitors for errors
- Operates burner, heating pump, and auxiliary indirect pump or valve
- Pump exerciser routine activates pump for five seconds every 72 hours to prevent seizing
- Records burner-run time

Oil Boiler

Rely on The Odyssey to perform without problems.

- Certification from most testing authorities ensures the boiler's operation and safety.
- The heat exchanger is constructed of thick cast iron, ensuring decades of worry-free comfort.
- We've taken every step to ensure that each Odyssey shipped is performing to the highest possible standards.

Venting versatility keeps your options open.

- The Odyssey is certified for use with various venting systems such as masonry chimney, L vent, and the modern sidewall Direct Venting system.

What is Direct Vent?

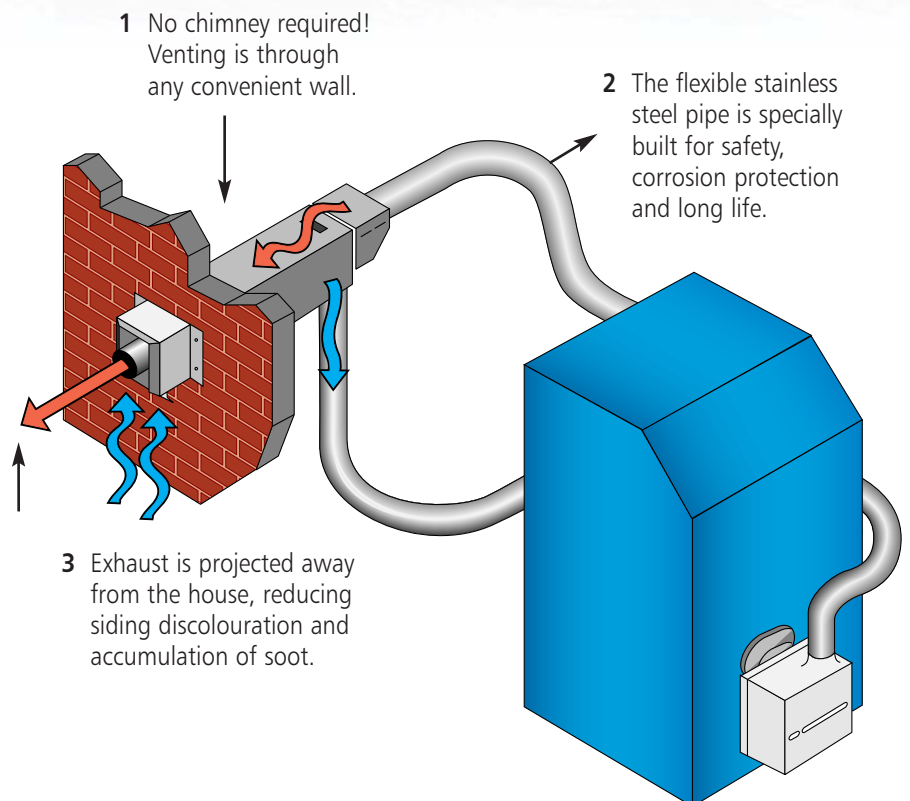
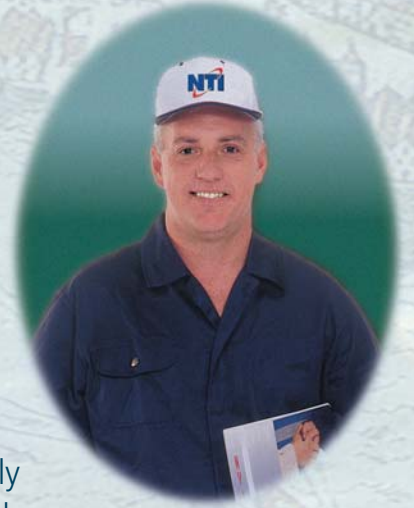
Traditional methods of combustion venting are sometimes not an option: perhaps the old chimney needs expensive upgrades, or there is no chimney at all!

Enter Direct Vent, sophisticated heating technology from NTI. Located through the basement wall (or wherever the boiler is located), the Direct Vent efficiently draws outside air through the vent terminal where it is pre-heated and used for the combustion process. The combustion gases are then expelled through the same terminal creating a balancing effect that combats varying wind conditions.

It's a completely safe, economical and easy solution to renovations, equipment upgrades and electric conversions!

The NTI Commitment to Service

- Established in 1966 in Sussex, NB, today's NTI remains a privately owned family business with the same original mandate to manufacture top-quality central heating equipment.
- We design our products with easy installation and servicing in mind. The **ODYSSEY** is pre-assembled and wired, with easy access to key components.
- At our 72,000 square-foot research, development and training laboratory in New Brunswick, engineers constantly strive to improve efficiency and serviceability on all our new and existing products.
- NTI maintains a strong commitment to providing installer leadership and ongoing support through our training programs and technical assistance available to contractors.



6 Reasons to Choose THE Odyssey

- 1. Efficiency** – up to 89% operating efficiencies.
- 2. Trustworthy** – NTI has been making quality boilers for over 30 years.
- 3. State-of-the-art** – the Sentry 2100 Microprocessor ensures precision operation.
- 4. Quick Service** – special features make boiler service fast and easy.
- 5. Versatility** – traditional chimney or Direct Venting options available.
- 6. Guaranteed** – NTI's warranty is your assurance of top quality and reliable operation.



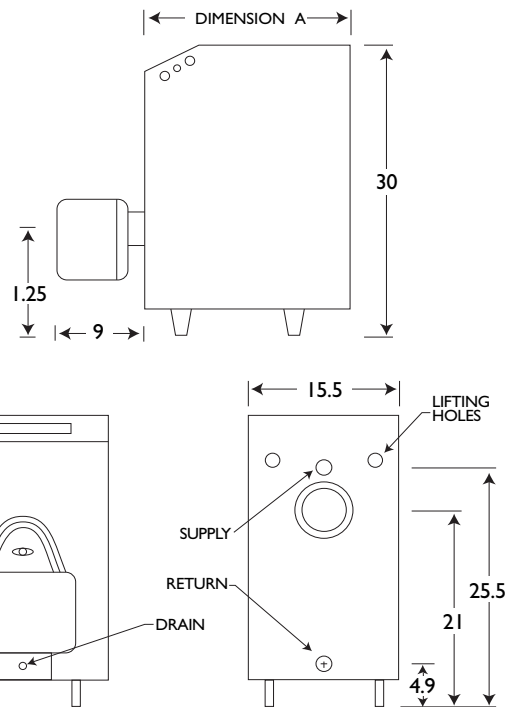
NY THERMAL INC.
 30 Stonegate Drive
 Saint John, New Brunswick
 E2H 0A4 Canada
 Tel: 506-657-6000
 Toll-free: 800-688-2575
 Fax: 506-432-1135

www.nythermal.com

TECHNICAL INFORMATION

Model	Input GPH	Gross Output BTU	Efficiency	Dimension A	Water Volume	Weight (lbs)
CT-80	.65	78,000	86%	17.5	3.6	240
CT-95	.75	89,000	85%	17.5	3.6	240
CT-100	.85	101,000	85%	17.5	3.6	240
CT-120	1.00	124,000	89%	25.5	5.4	350
CT-150	1.25	152,000	87%	25.5	5.4	350
CT-180	1.50	180,000	86%	25.5	5.4	350
CT-215	1.75	215,000	88%	33.5	7.3	468
CT-230	1.85	226,000	88%	33.5	7.3	468
CT-250	2.00	245,000	88%	33.5	7.3	468

SUPPLY AND RETURN SIZE	1 1/4" NPT
Stack Size	5"
Allowable operating Range °F	90-220°F
Maximum allowable temperature	240°F
Maximum allowable pressure	50 PSI



The Odyssey is designed to ASME code, and is certified by the National Board. NTI reserves the right to alter specification without notice.

As we continue to improve our products, we reserve the right to change specifications without notice.

DISTRIBUTED BY: